

## 3.125Gb/s SFP 1310nm 10km Optical Transceiver Module GS-3G31-L1xD

### Features

- Up to 3.125Gb/s data links
- 1310nm DFB laser transmitter and PIN photo-detector
- Up to 10km on 9/125 $\mu$ m SMF
- Hot-pluggable SFP footprint
- Duplex LC/UPC type pluggable optical interface
- Low power dissipation
- Metal enclosure, for lower EMI, connector holding latch
- RoHS compliant and lead-free
- Support Digital Diagnostic Monitoring interface
- Single +3.3V power supply
- Compliant with SFF-8472
- Case operating temperature:  
Commercial: 0 ~ +70°C  
Extended: -10 ~ +80°C  
Industrial: -40 ~ +85°C

### Applications

- Switch to Switch Interface
- Gigabit Ethernet
- Switched Backplane Applications
- Router/Server Interface
- Other Optical Links



### Part Number Ordering Information

Part Number	Data Rate (Gb/s)	Wavelength (nm)	Transmission Distance(km)	Temperature (°C) (Operating Case)
GS-3G31-L1CD	3.125	1310	10km SMF	0~70 commercial
GS-3G31-L1ED	3.125	1310	10km SMF	-10~80 Extended
GS-3G31-L1ID	3.125	1310	10km SMF	-40~85 Industrial

### Standards

- IEEE 802.3 & over; 1000 Base-LX; SFP MSA
- Compatible with CPRI, OBSAI

### Compatibility

- with transmission device port of vendor Huawei; Juniper; CISCO; HP; SIENA.
- BTS sub. equipment Huawei; Ericsson; Nokia

## 1. Absolute Maximum Ratings

It has to be noted that the operation in excess of any individual absolute maximum ratings might cause permanent damage to this module.

Parameter	Symbol	Min	Max	Unit	Notes
Storage Temperature	T <sub>s</sub>	-40	85	°C	
Power Supply Voltage	V <sub>CC</sub>	-0.3	3.6	V	
Relative Humidity (non-condensation)	RH	5	95	%	
Damage Threshold	TH <sub>d</sub>	5		dBm	

## 2. Recommended Operating Conditions and Power Supply Requirements

Parameter	Symbol	Min	Typical	Max	Unit	Notes
Operating Case Temperature	T <sub>OP</sub>	0		70	°C	commercial
		-10		80		extended
		-40		85		industrial
Power Supply Voltage	V <sub>CC</sub>	3.135	3.3	3.465	V	
Data Rate			3.125		Gb/s	
Control Input Voltage High		2		V <sub>CC</sub>	V	
Control Input Voltage Low		0		0.8	V	
Link Distance (SMF)	D			10	km	9/125um

## 3. General Description

GS-3G31-L1xD Small Form Factor Pluggable (SFP) transceivers are compatible with the Small Form Factor Pluggable Multi-Sourcing Agreement (MSA). The transceiver consists of five sections: the LD driver, the limiting amplifier, the digital diagnostic monitor, the DFB laser and the PIN photo-detector. The module data link up to 10km in 9/125um single mode fiber.

The optical output can be disabled by a TTL logic high-level input of Tx Disable, and the system also

can disable the module via I2C. Tx Fault is provided to indicate that degradation of the laser. Loss of signal (LOS) output is provided to indicate the loss of an input optical signal of receiver or the link status with partner. The system can also get the LOS (or Link)/Disable/Fault information via I2C register access.

#### 4. Pin Assignment and Pin Description

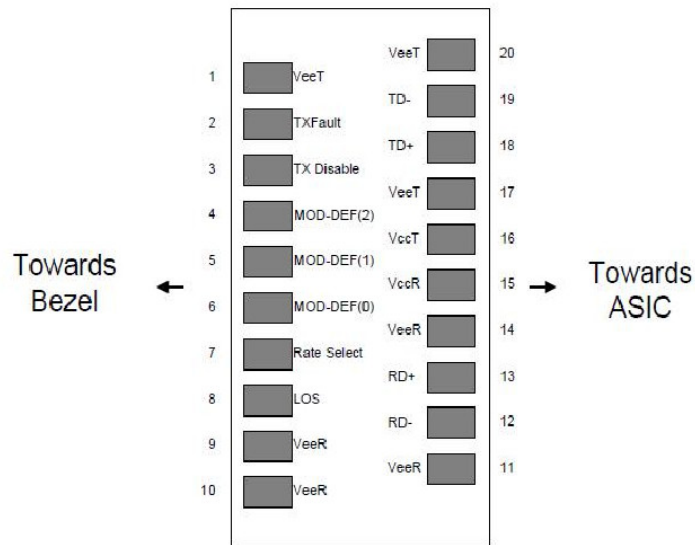


Figure1. Diagram of host board connector block pin numbers and names

PIN	Name	Name/Description	Notes
1	VEET	Transmitter Ground (Common with Receiver Ground)	1
2	TXFAULT	Transmitter Fault.	
3	TXDIS	Transmitter Disable. Laser output disabled on high or open.	2
4	MOD_DEF(2)	Module Definition 2. Data line for Serial ID.	3
5	MOD_DEF(1)	Module Definition 1. Clock line for Serial ID.	3
6	MOD_DEF(0)	Module Definition 0. Grounded within the module.	3
7	Rate Select	No connection required	4
8	LOS	Loss of Signal indication. Logic 0 indicates normal	5

		operation.	
9	VEER	Receiver Ground (Common with Transmitter Ground)	1
10	VEER	Receiver Ground (Common with Transmitter Ground)	1
11	VEER	Receiver Ground (Common with Transmitter Ground)	1
12	RD-	Receiver Inverted DATA out. AC Coupled	
13	RD+	Receiver Non-inverted DATA out. AC Coupled	
14	VEER	Receiver Ground (Common with Transmitter Ground)	1
15	VCCR	Receiver Power Supply	
16	VCCT	Transmitter Power Supply	
17	VEET	Transmitter Ground (Common with Receiver Ground)	1
18	TD+	Transmitter Non-Inverted DATA in. AC Coupled.	
19	TD-	Transmitter Inverted DATA in. AC Coupled.	
20	VEET	Transmitter Ground (Common with Receiver Ground)	1

Notes:

1. Circuit ground is internally isolated from chassis ground.
2. Laser output disabled on TDIS >2.0V or open, enabled on TDIS <0.8V.
3. Should be pulled up with 4.7k - 10kohms on host board to a voltage between 2.0V and 3.6V. MOD\_DEF (0) pulls line low to indicate module is plugged in.
4. This is an optional input used to control the receiver bandwidth for compatibility with multiple data rates (most likely Fiber Channel 1x and 2x Rates). If implemented, the input will be internally pulled down with > 30kΩ resistor. The input states are:
  - 1) Low (0 – 0.8V): Reduced Bandwidth
  - 2) (>0.8, < 2.0V): Undefined
  - 3) High (2.0 – 3.465V): Full Bandwidth
  - 4) Open: Reduced Bandwidth
5. LOS is open collector output should be pulled up with 4.7k - 10kohms on host board to a voltage between 2.0V and 3.6V. Logic 0 indicates normal operation; logic 1 indicates loss of signal.

## 5. Specification of Transmitter Electrical Characteristics

The following electrical characteristics are defined over the Recommended Operating Environment unless otherwise specified.

Parameter	Symbol	Min.	Typical	Max	Unit	Notes
Power Consumption	P			0.95	W	commercial
				1.00		Industrial
Supply Current	Icc			280	mA	commercial
				300		Industrial
<b>Transmitter</b>						
Single-ended Input Voltage Tolerance	V <sub>CC</sub>	-0.3		4.0	V	
Differential Input Voltage Swing	V <sub>in,pp</sub>	200		2400	mV <sub>pp</sub>	
Differential Input Impedance	Z <sub>in</sub>	90	100	110	Ohm	
Transmit Disable Assert Time				5	us	
Transmit Disable Voltage	V <sub>dis</sub>	V <sub>CC</sub> -1.3		V <sub>CC</sub>	V	
Transmit Enable Voltage	V <sub>en</sub>	V <sub>EE</sub> -0.3		0.8	V	
<b>Receiver</b>						
Differential Output Voltage Swing	V <sub>out,pp</sub>	500		900	mV <sub>pp</sub>	
Differential Output Impedance	Z <sub>out</sub>	90	100	110	Ohm	
Data output rise/fall time	T <sub>r</sub> /T <sub>f</sub>		100		ps	20% to 80%
LOS Assert Voltage	V <sub>losH</sub>	V <sub>CC</sub> -1.3		V <sub>CC</sub>	V	
LOS De-assert Voltage	V <sub>losL</sub>	V <sub>EE</sub> -0.3		0.8	V	

## 6. Optical Characteristics

The following optical characteristics are defined over the Recommended Operating Environment unless otherwise specified.

Parameter	Symbol	Min.	Typical	Max	Unit	Notes
<b>Transmitter</b>						
Center Wavelength	$\lambda_c$	1290	1310	1330	nm	
Spectrum Bandwidth(RMS)	$\sigma$			1	nm	
Side Mode Suppression Ratio	SMSR	30			dB	
Average Optical Power	$P_{AVG}$	-5		0	dBm	1
Optical Extinction Ratio	ER	7			dB	
Transmitter OFF Output Power	POff			-45	dBm	
Transmitter Eye Mask		Compliant with G.959(class 1 laser safety)				
<b>Receiver</b>						
Center Wavelength	$\lambda_c$	1270		1610	nm	
Receiver Sensitivity (Average Power)	Sen.			-19	dBm	2
Input Saturation Power (overload)	Psat	-1			dBm	
LOS Assert	LOSA	-36			dB	3
LOS De-assert	LOSD			-19	dBm	3
LOS Hysteresis	LOSH	0.5	2	6	dBm	

Notes:

1. Measure at 2<sup>23</sup>-1 NRZ PRBS pattern
2. Measured with Light source 1310nm, ER=7dB; BER =<10<sup>-12</sup> @PRBS=2<sup>23</sup>-1 NRZ
3. When LOS de-asserted, the RX data+/- output is High-level (fixed).

## 7. Digital Diagnostic Functions

The following digital diagnostic characteristics are defined over the Recommended Operating Environment unless otherwise specified. It is compliant to SFF8472 Rev10.2 with internal calibration mode. For external calibration mode please contact our sales staff.

Parameter	Symbol	Min.	Max	Unit	Notes
Temperature monitor absolute error	DMI_Temp	-3	3	degC	Over operating temp
Supply voltage monitor absolute error	DMI_VCC	-0.15	0.15	V	Full operating range
RX power monitor absolute error	DMI_RX	-3	3	dB	
Bias current monitor	DMI_bias	-10%	10%	mA	
TX power monitor absolute error	DMI_TX	-3	3	dB	

## 8. Mechanical Dimensions

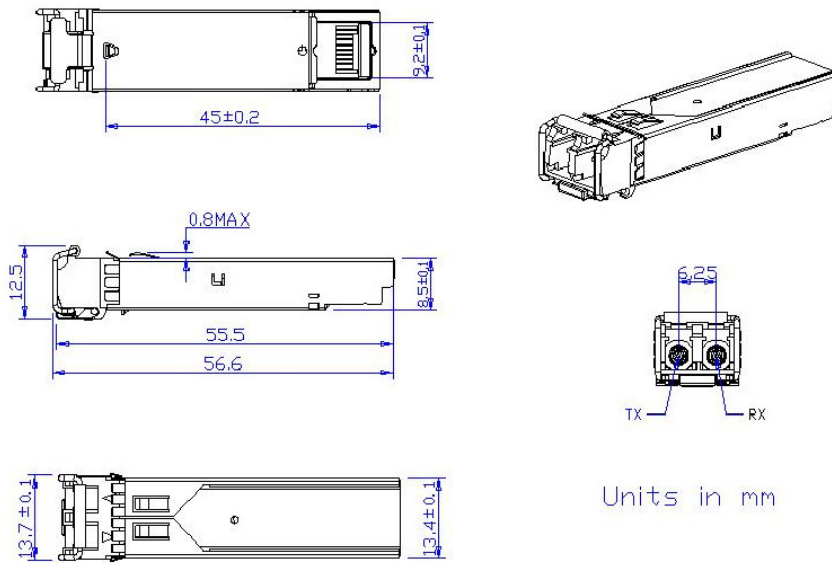


Figure2. Mechanical Outline