

D1×2 Mechanical Optical Switch

Features

- Low Insertion Loss
- Wide Wavelength Range
- Low Crosstalk
- High Stability, High Reliability
- Epoxy-free on Optical Path
- Latching and Non-latching

Application

- R&D in Laboratory
- System Monitoring
- Configurable OADM
- MAN (Metropolitan Area Network)



Performance:

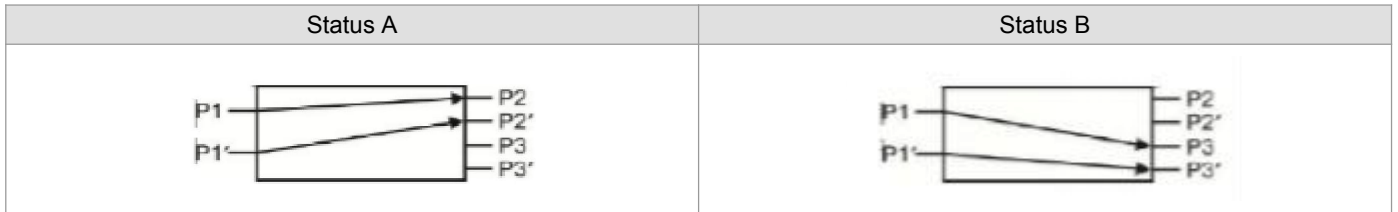
Model	Unit	GZ-FSW-D1x2	
Operatingwavelength	nm	850±40/1300±40	1260~1620
wavelength	nm	850&1300	1310&1550
Insertion loss	dB	Typ:1.0 Max:1.5	
Return loss	dB	MM≥30	SM≥50
Cross talk	dB	MM≥35	SM≥55
PDL	dB	≤0.05	
WDL	dB	≤0.25	
TDL	dB	≤0.25	
Repeatability	dB	≤±0.02	
Voltage	v	3.0 or 5.0±0.5	
Operating life	Time	≥10 ⁷	
Switch time	ms	≤8	
Power handling	mW	≤500	
Operating temperature	℃	-20~+70	
Storage temperature	℃	-40~+85	
Fiber color		P1、P1' Blue ; P2、P2' Red ; P3、P3' White	
Size	mm	27.0×12×8.2	

Note: 1 Within operating temperature and SOP. 2 Excluding Connectors.

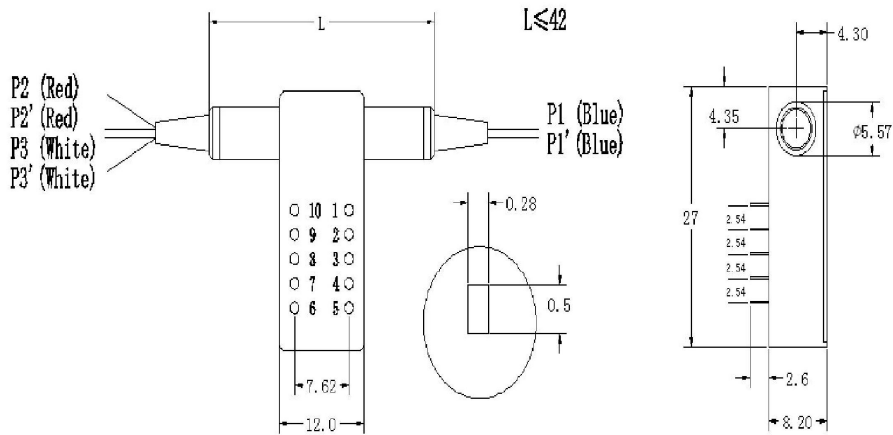
Pin Definition:

Type D1x2	State	Pin definition	Power				Condition monitoring			
			1	5	6	10	2-3	3-4	7-8	8-9
Non-latching	A	P1-P2	--	--	--	--	Close	Open	Open	Close
		P1'-P2'								
	B	P1-P3	V+	--	--	GND	Open	Close	Close	Open
		P1'-P3'								
Latching	A	P1-P2	--	--	GND	V+	Close	Open	Open	Close
		P1'-P2'								
	B	P1-P3	V+	GND	--	--	Open	Close	Close	Open
		P1'-P3'								

Path Diagram:



Production Size:



Order Information:

Wavelength	Operating Voltage	Fiber Type	Tube Type	Fiber Length	Connector
0850—850	3L—3v, latching	1—SM	1—250um	05—0.5m	0—None Connector
1315—1310&1550	5L—5v, latching	2—MM 62.5/125	2—900um	10—1m	1—FC/PC
.....	3N—3v, Non-latching	3—MM 50/125		15—1.5m	2—FC/APC
	5N—5v, Non-latching			20—2 m	3—SC/PC
				4—SC/APC
					5—LC/PC
					6—LC/APC